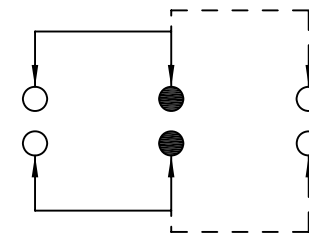
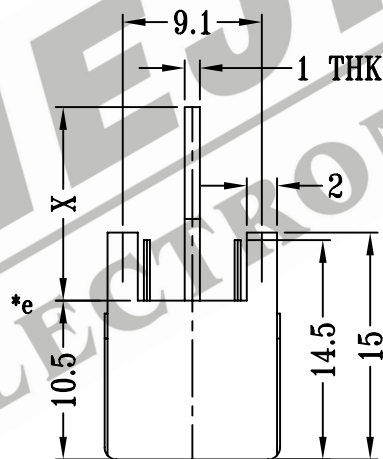
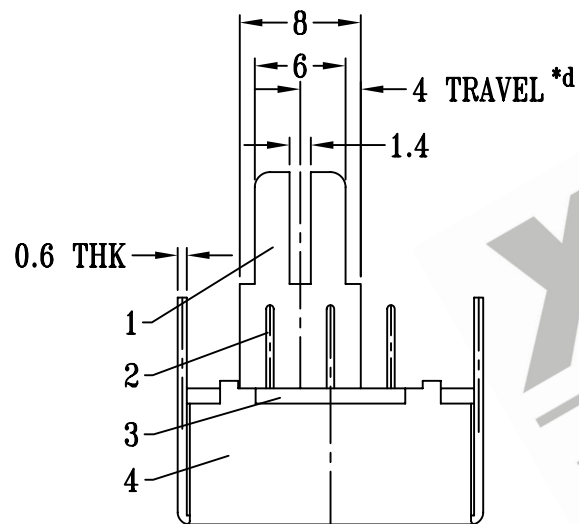
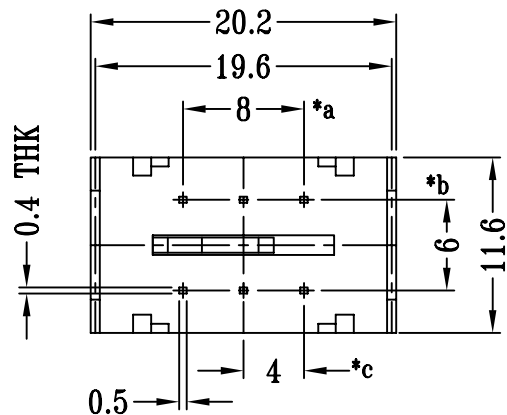
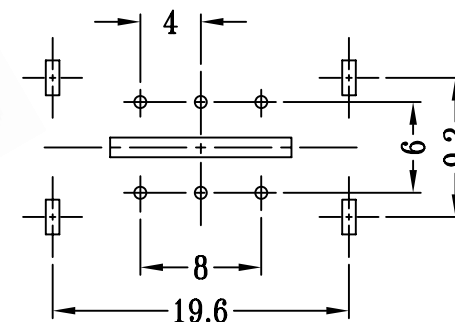


CAD FILE:



SCHEMATIC (NON-SHORTING)



P.C.B LAYOUT

注:带"*"表示关键尺寸(7个)

8	PRESS BAR	POM	1	BLACK	TOLERANCE UNLESS SPECIFIED	SHENZHEN XIEJIA ELECTRONICS CO.,LTD.				
7	STEEL BALL	STEEL	2	NATURAL						
6	SPRING	STEEL WIRE	1	TEMPER	WITHIN: 1.5±0.1mm OVER: 1.5±0.2mm	ISSUE	DATE	DESCRIPTIONS OF REVISION		APPD.
5	CONTACT (CLIP)	PBS STRIP	2	Ag PLATED						
4	FRAME	STEEL STRIP	1	Ni PLATED	TITLE : BOTTOM SLIDE SWITCH		UNIT : mm	DRWG NO.: XJ-DR-BK22H02-00		
3	TERMINAL BASE	PHENOLIC RESIN	1	NATURAL	MODEL: BK-22H02		SCALE: 2:1	DWN.	ZHOUYU	2003-3-27
2	TERMINAL	BRASS STRIP	6	Ag PLATED OVER Ni PLATED				CHK'D	FANGYING	2003-3-27
1	STEEL KNOB	STEEL STRIP	1	Ni PLATED	ALL MATERIALS MUST BE COMPLIANT TO ROHS		APPD.	KANGXINAN	2003-3-27	
NO.	PARTS	MATERIALS	Q'TY	FINISH						